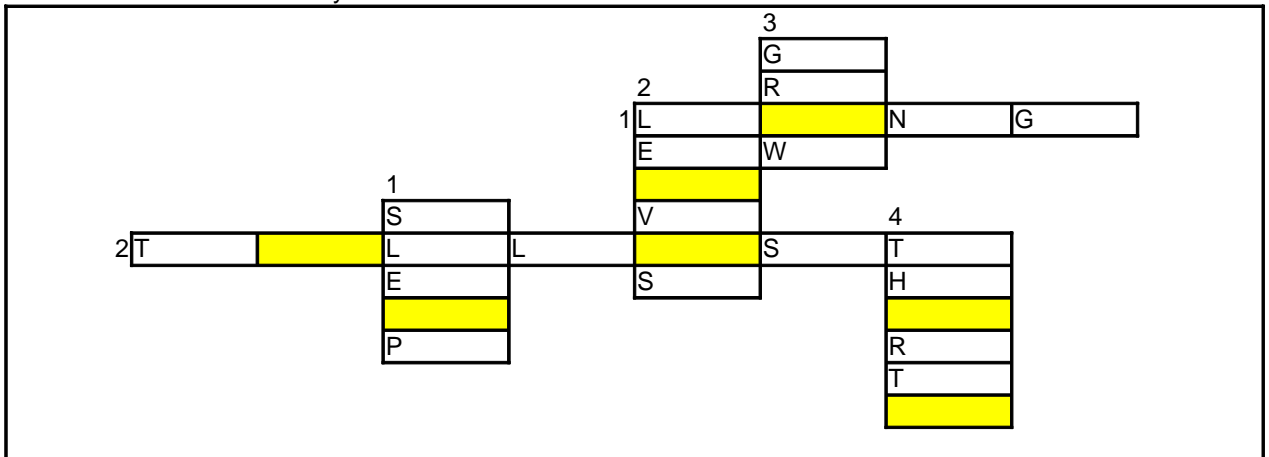


For children 6-10 years



Fun Facts about Giraffes! [to feature picture of Growie the giraffe]

Complete the above crossword puzzle with these clues!

Across

- 1 Giraffes are famous for their _____ necks and tongues.
- 2 Giraffes are the world's _____ land animal.

Down

- 1 Giraffes _____ between 20 minutes to 2 hours a day -one of the shortest rest time among animals!
- 2 Giraffes' height and long tongue allow them to feed on the _____ of tall trees.
- 3 A young giraffe can _____ up to more than 5 metres!
- 4 Giraffes can live up to _____ years old.

Answers: Across 1) long, 2) tallest, Down 1) sleep, 2) leaves, 3) grow, 4) thirty